

Glastender.

A Family Company
Manufacturing in the USA



Expect more
more flexibility
more features



**Decorative
Beer Towers**

DECORATIVE BEER TOWERS

Decorative Beer Tower Overview.....	2
Ceramic Tower Colors	3
Rembrandt Towers	4
Black Forest Towers.....	5
Vienna Towers.....	6
Braumeister Towers	7
Vienna Ellipse Towers	8
Braumeister Ellipse Towers	9
Zeus Towers	10
Mini Mushroom Towers.....	11
Mushroom Towers	12
Tube Towers.....	13
Cobra Towers	14
Juliette Towers	15
Lynx Towers.....	16
Lions Gate Towers	17
Albatross Towers.....	18

Decorative Beer Towers

Glastender has expanded its line of beer towers to include several new decorative options which are available in Chrome or Brass finishes, as well as 9 different color options for the Braumeister, Black Forrest, Vienna, and Rembrandt lines. Several other tower options such as the Cobra and Anfo lines are available as ice forming. Contact Glastender for price and availability.



Lions Gate Towers



Juliette Towers



Cobra Towers



Albatross Towers



Zeus Towers



Lynx Towers



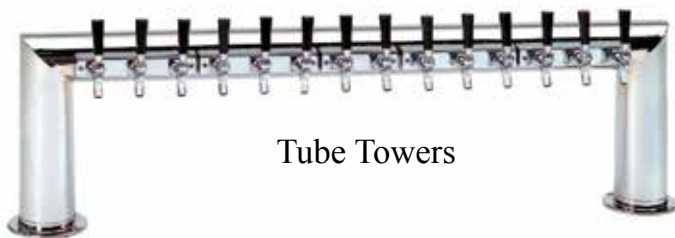
Braumeister
Ellipse Towers



Braumeister
Towers



Black Forest
Towers



Tube Towers



Vienna
Ellipse Towers



Vienna
Towers



Rembrandt
Towers



Mushroom
Towers



Mini Mushroom
Towers

Note: Glastender decorative towers are only available with US style faucets. European faucets are not available as depicted in some photos. *Faucet handles not included.*

Ceramic Tower Colors

Ceramic towers include:

- Rembrant Towers - Page 4
- Black Forest Towers - Page 5
- Vienna Towers - Page 6
- Braumeister Towers - Page 7
- Vienna Ellipse Towers - Page 8
- Braumeister Ellipse Towers* - Page 9

Shown, right - Strawberry Red



BET-6-MF-SR

Note: Actual color may vary due to differences in monitor color calibration, color printing, photography, and ceramic glazes.



Clear



Mother of Pearl Over Clear



Antique Crackle



Liquid Copper Over Black



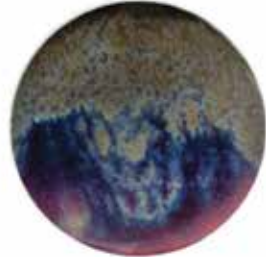
Bright Yellow



Strawberry Red



Copper Mine



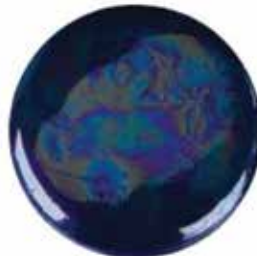
Potter's Coffee



Burgundy



Midnight Blue



Mother of Pearl Over Midnight Blue



Blue Stardust



Heirloom Silver



Emerald Green



Mother of Pearl Over Emerald Green



Hunter Green



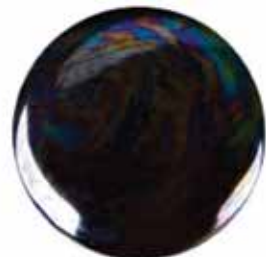
Black Stardust



Black Mirror



Black



Mother of Pearl Over Black

Project: _____	AIA# _____
Item #: _____ Qty: _____	SIS# _____
Model #: _____	

Rembrandt Towers



RBT-2-MF-BL

Size:
Specify the number of faucets from 2 or 3

Hardware Finish:
MF = Mirror finish
PB = Polished brass

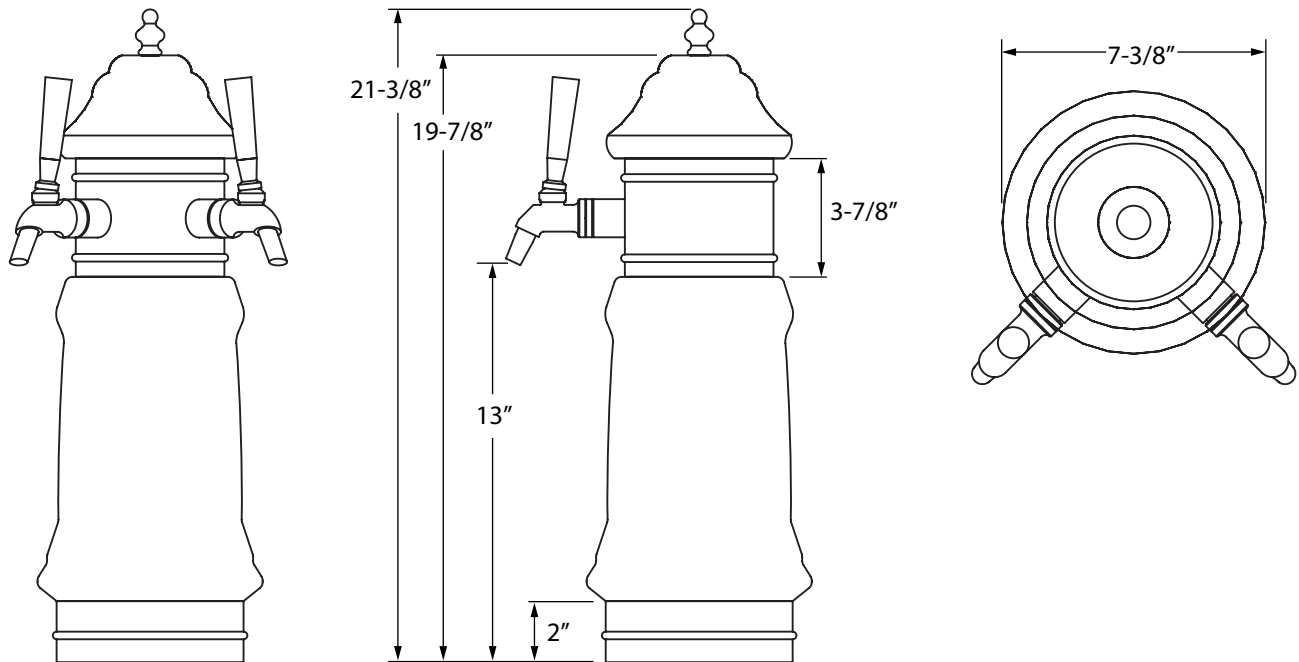
Towers supplied with US style stainless steel faucets.
NOTE: Faucet handles not included.

RBT- - - -

Ceramic Color:

CL = Clear (White)	BP = Mother of Pearl Over Midnight Blue
PC = Mother of Pearl Over Clear (Pearl/White)	SB = Blue Stardust
AC = Antique Crackle	HS = Heirloom Silver
CB = Liquid Copper Over Black	EG = Emerald Green
BY = Bright Yellow	PG = Mother of Pearl Over Emerald Green
SR = Strawberry Red	HG = Hunter Green
CM = Copper Mine	BS = Black Stardust
PC = Potter's Coffee	BM = Black Mirror
BG = Burgundy	BK = Black
MB = Midnight Blue	PB = Mother of Pearl Over Black

Dimensional Information



Glastender, Inc. • 5400 North Michigan Road • Saginaw, MI • 48604-9780
989.752.4275 • 800.748.0423 • Fax 989.752.4444
www.glastender.com

Approval/Notes:

Specifications subject to change without notice. For current specifications please visit our website.

Project: _____	AIA# _____
Item #: _____ Qty: _____	SIS# _____
Model #: _____	

Black Forest Towers



BFT-3-PB-CL

Size:
Specify the number of faucets from 2 or 3

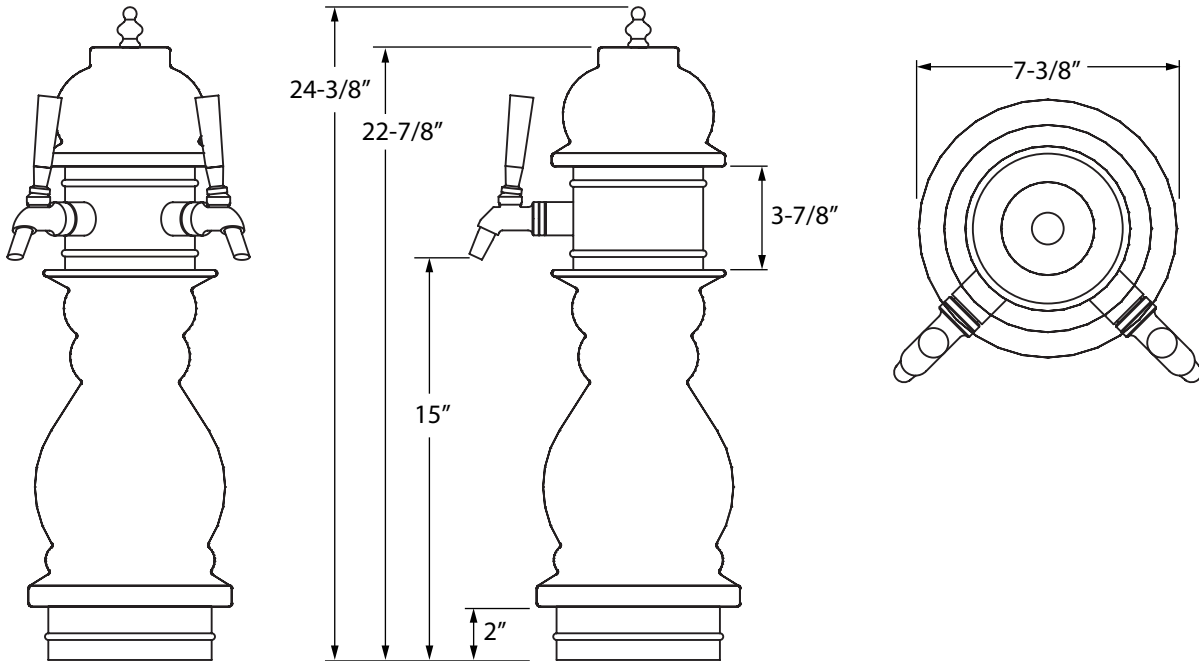
Hardware Finish:
MF = Mirror finish
PB = Polished brass

Towers supplied with US style stainless steel faucets.
NOTE: Faucet handles not included.

BFT- - - -

Ceramic Color:	
CL = Clear (White)	BP = Mother of Pearl Over Midnight Blue
PC = Mother of Pearl Over Clear (Pearl/White)	SB = Blue Stardust
AC = Antique Crackle	HS = Heirloom Silver
CB = Liquid Copper Over Black	EG = Emerald Green
BY = Bright Yellow	PG = Mother of Pearl Over Emerald Green
SR = Strawberry Red	HG = Hunter Green
CM = Copper Mine	BS = Black Stardust
PC = Potter's Coffee	BM = Black Mirror
BG = Burgundy	BK = Black
MB = Midnight Blue	PB = Mother of Pearl Over Black

Dimensional Information



Glastender, Inc. • 5400 North Michigan Road • Saginaw, MI • 48604-9780
989.752.4275 • 800.748.0423 • Fax 989.752.4444
www.glastender.com

Approval/Notes:

Specifications subject to change without notice. For current specifications please visit our website.

Project: _____	AIA# _____
Item #: _____ Qty: _____	SIS# _____
Model #: _____	

Vienna Towers



VNT-2-MF-BY

Size:
Specify the number of faucets from 2 or 3

Hardware Finish:
MF = Mirror finish
PB = Polished brass

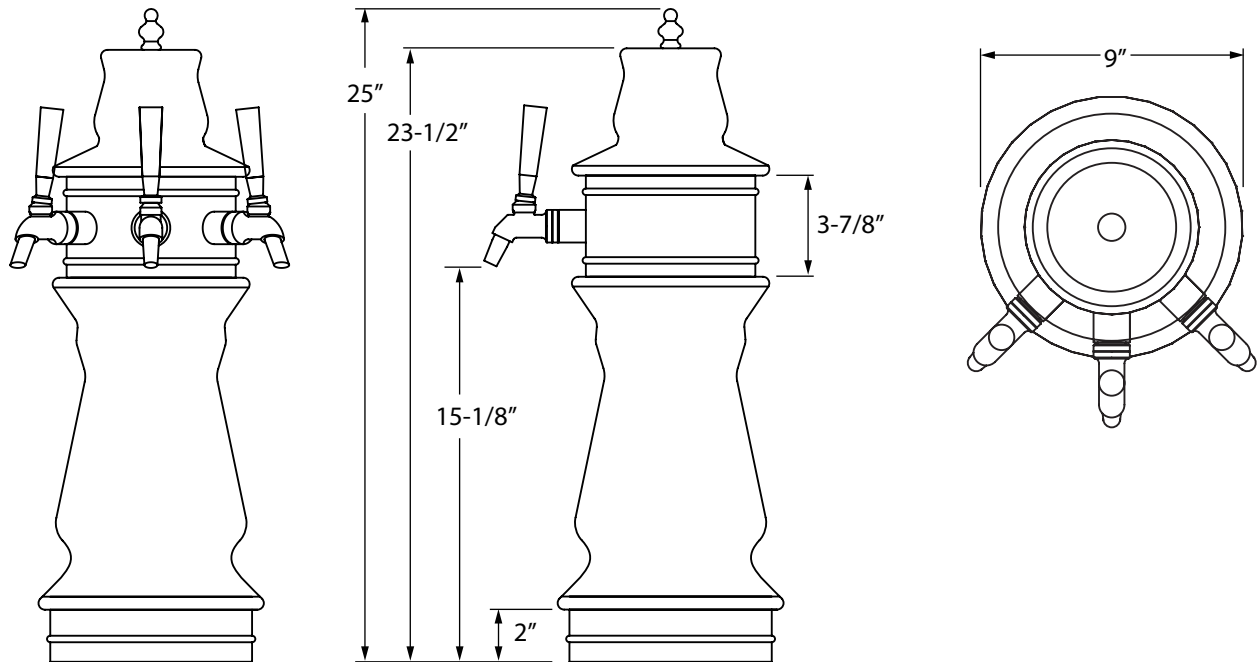
Towers supplied with US style stainless steel faucets.
NOTE: Faucet handles not included.

VNT- - -

Ceramic Color:

CL = Clear (White)	BP = Mother of Pearl Over Midnight Blue
PC = Mother of Pearl Over Clear (Pearl/White)	SB = Blue Stardust
AC = Antique Crackle	HS = Heirloom Silver
CB = Liquid Copper Over Black	EG = Emerald Green
BY = Bright Yellow	PG = Mother of Pearl Over Emerald Green
SR = Strawberry Red	HG = Hunter Green
CM = Copper Mine	BS = Black Stardust
PC = Potter's Coffee	BM = Black Mirror
BG = Burgundy	BK = Black
MB = Midnight Blue	PB = Mother of Pearl Over Black

Dimensional Information



<p>Glastender, Inc. • 5400 North Michigan Road • Saginaw, MI • 48604-9780 989.752.4275 • 800.748.0423 • Fax 989.752.4444 www.glastender.com</p> <p>Specifications subject to change without notice. For current specifications please visit our website.</p>	<p>Approval/Notes:</p>
---	------------------------

Project: _____	AIA# _____
Item #: _____ Qty: _____	SIS# _____
Model #: _____	

Braumeister Towers



BMT-2-MF-BK

Size:
Specify the number of faucets from 2 or 3

Hardware Finish:
MF = Mirror finish
PB = Polished brass

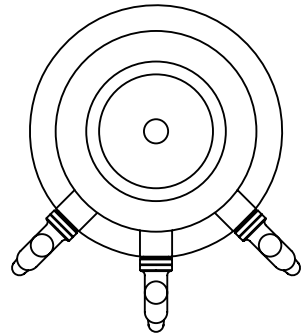
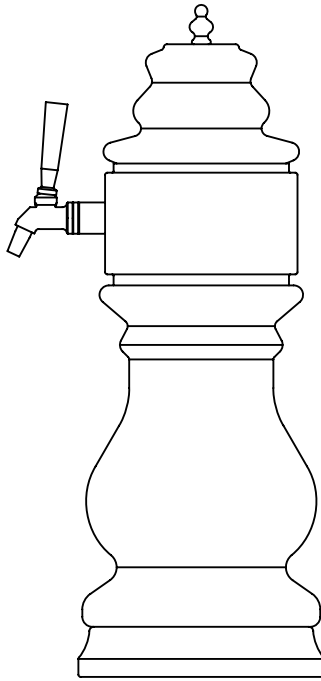
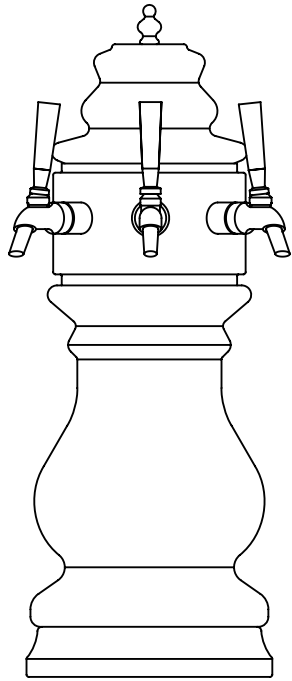
Towers supplied with US style stainless steel faucets.
NOTE: Faucet handles not included.

BMT- - -

Ceramic Color:

CL = Clear (White)	BP = Mother of Pearl Over Midnight Blue
PC = Mother of Pearl Over Clear (Pearl/White)	SB = Blue Stardust
AC = Antique Crackle	HS = Heirloom Silver
CB = Liquid Copper Over Black	EG = Emerald Green
BY = Bright Yellow	PG = Mother of Pearl Over Emerald Green
SR = Strawberry Red	HG = Hunter Green
CM = Copper Mine	BS = Black Stardust
PC = Potter's Coffee	BM = Black Mirror
BG = Burgundy	BK = Black
MB = Midnight Blue	PB = Mother of Pearl Over Black

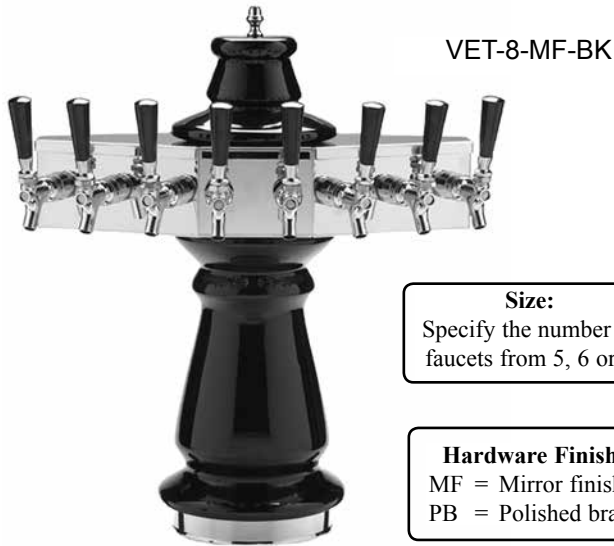
Dimensional Information



<p>Glastender, Inc. • 5400 North Michigan Road • Saginaw, MI • 48604-9780 989.752.4275 • 800.748.0423 • Fax 989.752.4444 www.glastender.com</p> <p>Specifications subject to change without notice. For current specifications please visit our website.</p>	<p>Approval/Notes:</p>
---	------------------------

Project: _____	AIA# _____
Item #: _____ Qty: _____	SIS# _____
Model #: _____	

Vienna Ellipse Towers



Size:
Specify the number of faucets from 5, 6 or 8

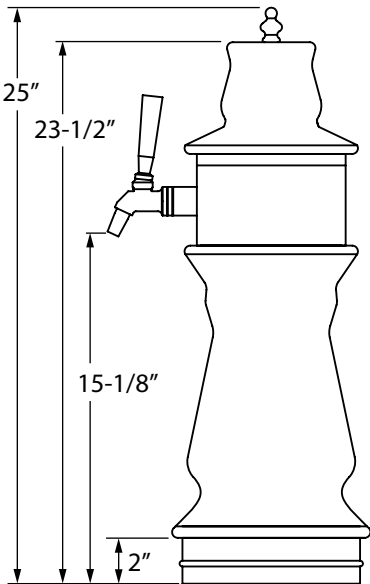
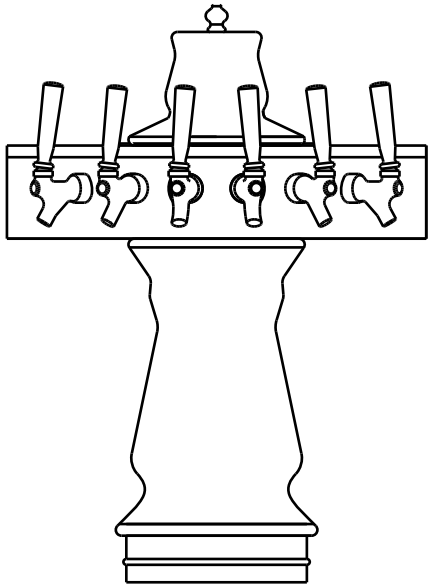
Hardware Finish:
MF = Mirror finish
PB = Polished brass

VET- - - -

Ceramic Color:	
CL = Clear (White)	BP = Mother of Pearl Over Midnight Blue
PC = Mother of Pearl Over Clear (Pearl/White)	SB = Blue Stardust
AC = Antique Crackle	HS = Heirloom Silver
CB = Liquid Copper Over Black	EG = Emerald Green
BY = Bright Yellow	PG = Mother of Pearl Over Emerald Green
SR = Strawberry Red	HG = Hunter Green
CM = Copper Mine	BS = Black Stardust
PC = Potter's Coffee	BM = Black Mirror
BG = Burgundy	BK = Black
MB = Midnight Blue	PB = Mother of Pearl Over Black

Towers supplied with US style stainless steel faucets.
NOTE: Faucet handles not included.

Dimensional Information



Glastender, Inc. • 5400 North Michigan Road • Saginaw, MI • 48604-9780
989.752.4275 • 800.748.0423 • Fax 989.752.4444
www.glastender.com

Approval/Notes:

Specifications subject to change without notice. For current specifications please visit our website.

Project: _____	AIA# _____
Item #: _____ Qty: _____	SIS# _____
Model #: _____	

Braumeister Ellipse Towers

BET- - - -



BET-6-MF-SR

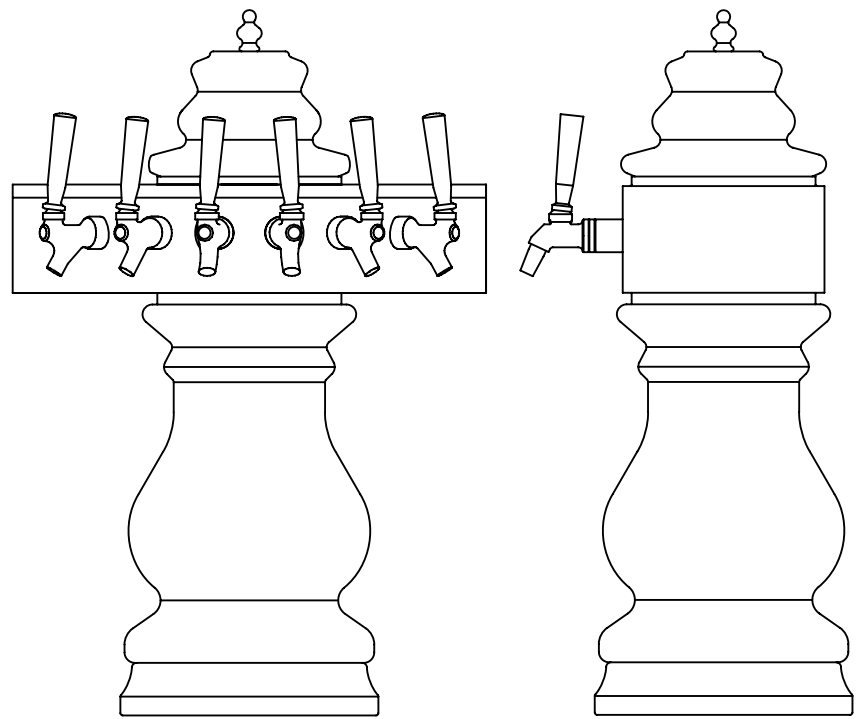
Size:
Specify the number of faucets from 5, 6 or 8

Hardware Finish:
MF = Mirror finish
PB = Polished brass

- Ceramic Color:**
- | | |
|---|---|
| CL = Clear (White) | BP = Mother of Pearl Over Midnight Blue |
| PC = Mother of Pearl Over Clear (Pearl/White) | SB = Blue Stardust |
| AC = Antique Crackle | HS = Heirloom Silver |
| CB = Liquid Copper Over Black | EG = Emerald Green |
| BY = Bright Yellow | PG = Mother of Pearl Over Emerald Green |
| SR = Strawberry Red | HG = Hunter Green |
| CM = Copper Mine | BS = Black Stardust |
| PC = Potter's Coffee | BM = Black Mirror |
| BG = Burgundy | BK = Black |
| MB = Midnight Blue | PB = Mother of Pearl Over Black |

Towers supplied with US style stainless steel faucets.
NOTE: Faucet handles not included.

Dimensional Information



Glastender, Inc. • 5400 North Michigan Road • Saginaw, MI • 48604-9780
989.752.4275 • 800.748.0423 • Fax 989.752.4444
www.glastender.com

Approval/Notes:

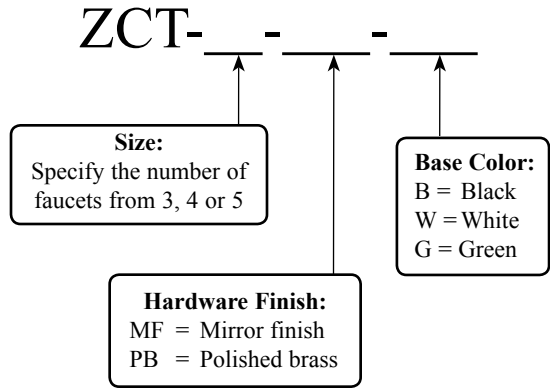
Specifications subject to change without notice. For current specifications please visit our website.

Project: _____	AIA# _____
Item #: _____ Qty: _____	SIS# _____
Model #: _____	

Zeus Towers

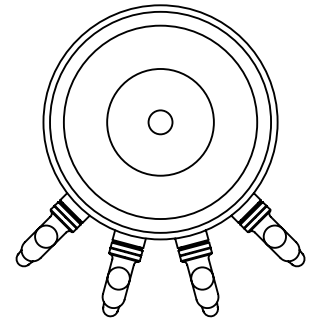
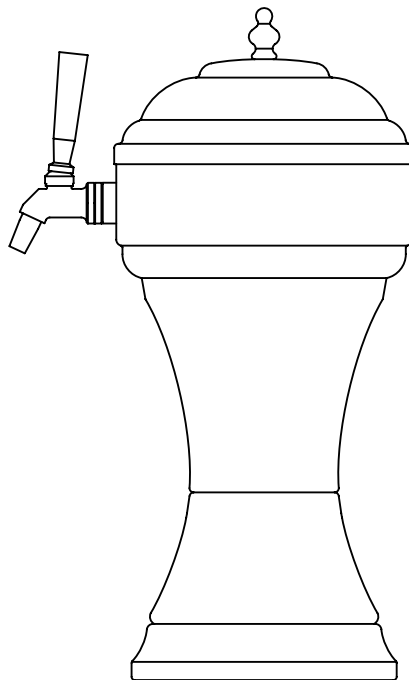
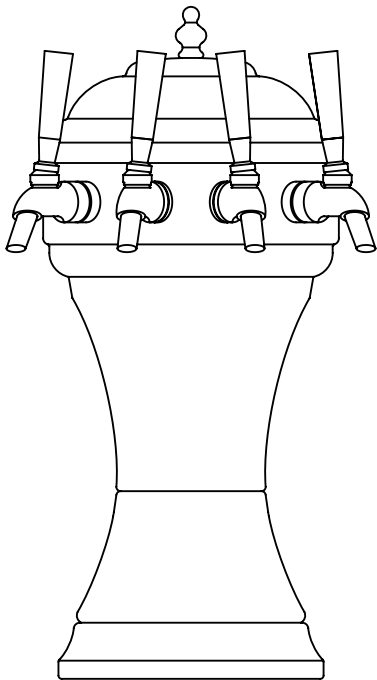


ZCT-5-PB-B



Towers supplied with US style stainless steel faucets.
NOTE: Faucet handles not included.

Dimensional Information



<p>Glastender, Inc. • 5400 North Michigan Road • Saginaw, MI • 48604-9780 989.752.4275 • 800.748.0423 • Fax 989.752.4444 www.glastender.com</p>	<p>Approval/Notes:</p>
<p style="font-size: small;">Specifications subject to change without notice. For current specifications please visit our website.</p>	

Project: _____	AIA# _____
Item #: _____ Qty: _____	SIS# _____
Model #: _____	

Mini Mushroom Towers



MMT- -

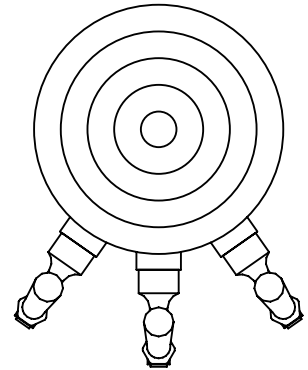
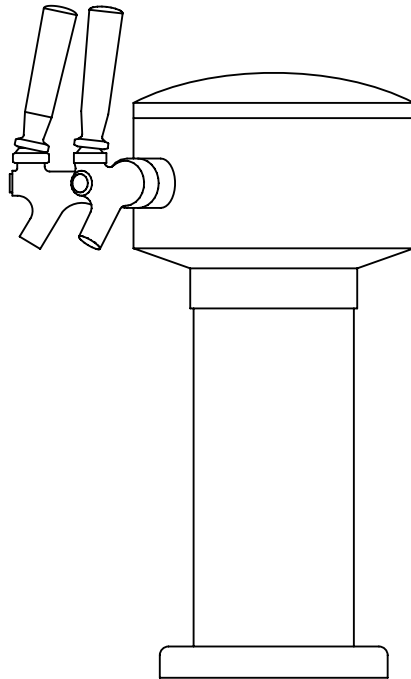
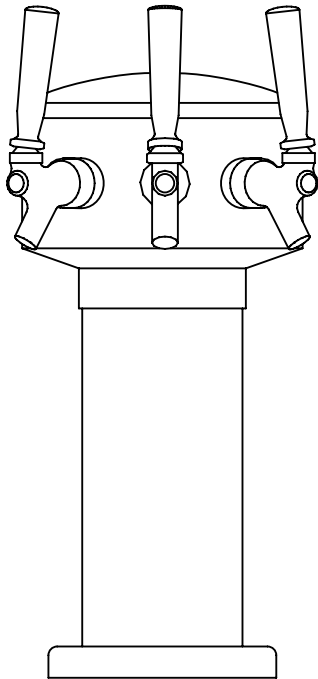
Size:
Specify the number of faucets from 3 or 4

Hardware Finish:
SS = Stainless steel
PB = Polished brass

MMT-4-SS

Towers supplied with US style stainless steel faucets.
NOTE: Faucet handles not included.

Dimensional Information



Glastender, Inc. • 5400 North Michigan Road • Saginaw, MI • 48604-9780
989.752.4275 • 800.748.0423 • Fax 989.752.4444
www.glastender.com

Approval/Notes:

Specifications subject to change without notice. For current specifications please visit our website.

Project: _____	AIA# _____
Item #: _____ Qty: _____	SIS# _____
Model #: _____	

Mushroom Towers



MT-5-SS

MT- _ - _

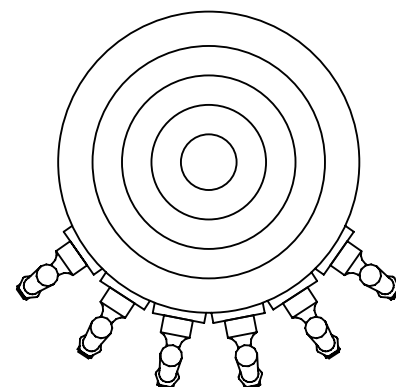
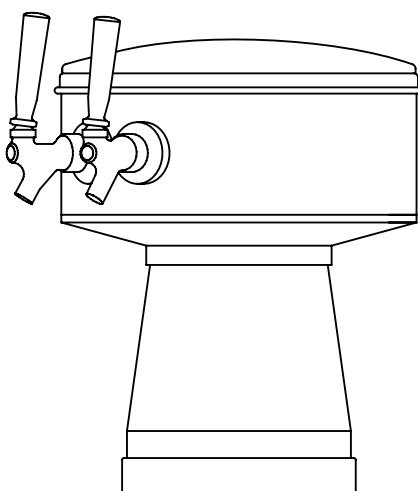
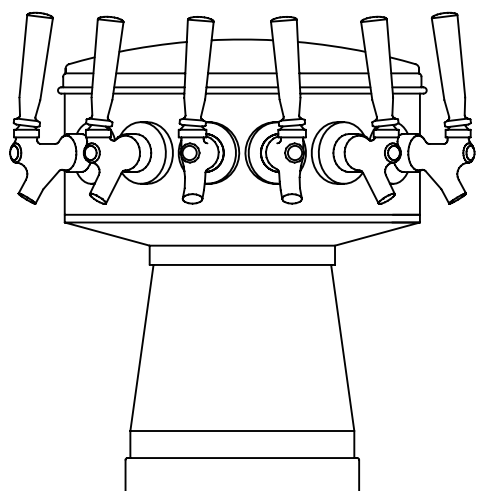
Size:
Specify the number of faucets from 4, 5, or 6

Hardware Finish:
SS = Stainless steel
PB = Polished brass

Towers supplied with US style stainless steel faucets.

NOTE: Faucet handles not included.

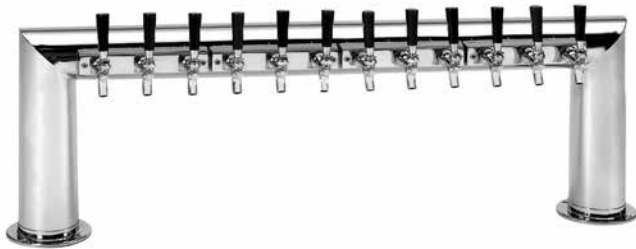
Dimensional Information



<p>Glastender, Inc. • 5400 North Michigan Road • Saginaw, MI • 48604-9780 989.752.4275 • 800.748.0423 • Fax 989.752.4444 www.glastender.com</p> <p>Specifications subject to change without notice. For current specifications please visit our website.</p>	<p>Approval/Notes:</p>
---	------------------------

Project: _____	AIA# _____
Item #: _____ Qty: _____	SIS# _____
Model #: _____	

Tube Towers



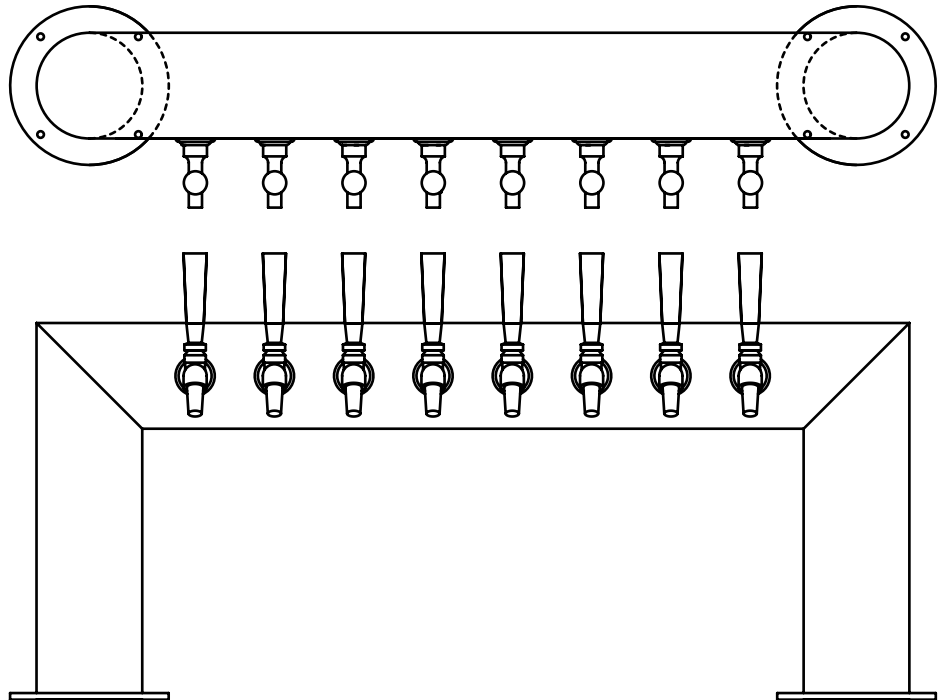
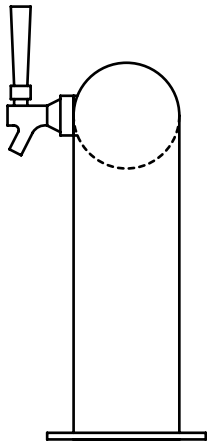
TT-12-SS

TT-__-SS

Size:
Specify the number of
faucets from 6, 8, 10, or 12

Towers supplied with US style stainless steel faucets.
NOTE: Faucet handles not included.

Dimensional Information



Glastender, Inc. • 5400 North Michigan Road • Saginaw, MI • 48604-9780
989.752.4275 • 800.748.0423 • Fax 989.752.4444
www.glastender.com

Approval/Notes:

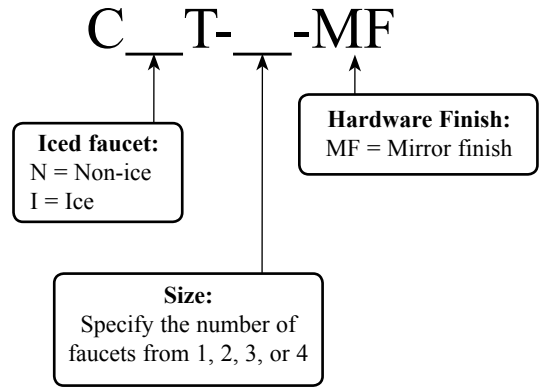
Specifications subject to change without notice. For current specifications please visit our website.

Project: _____	AIA# _____
Item #: _____ Qty: _____	SIS# _____
Model #: _____	

Cobra Towers

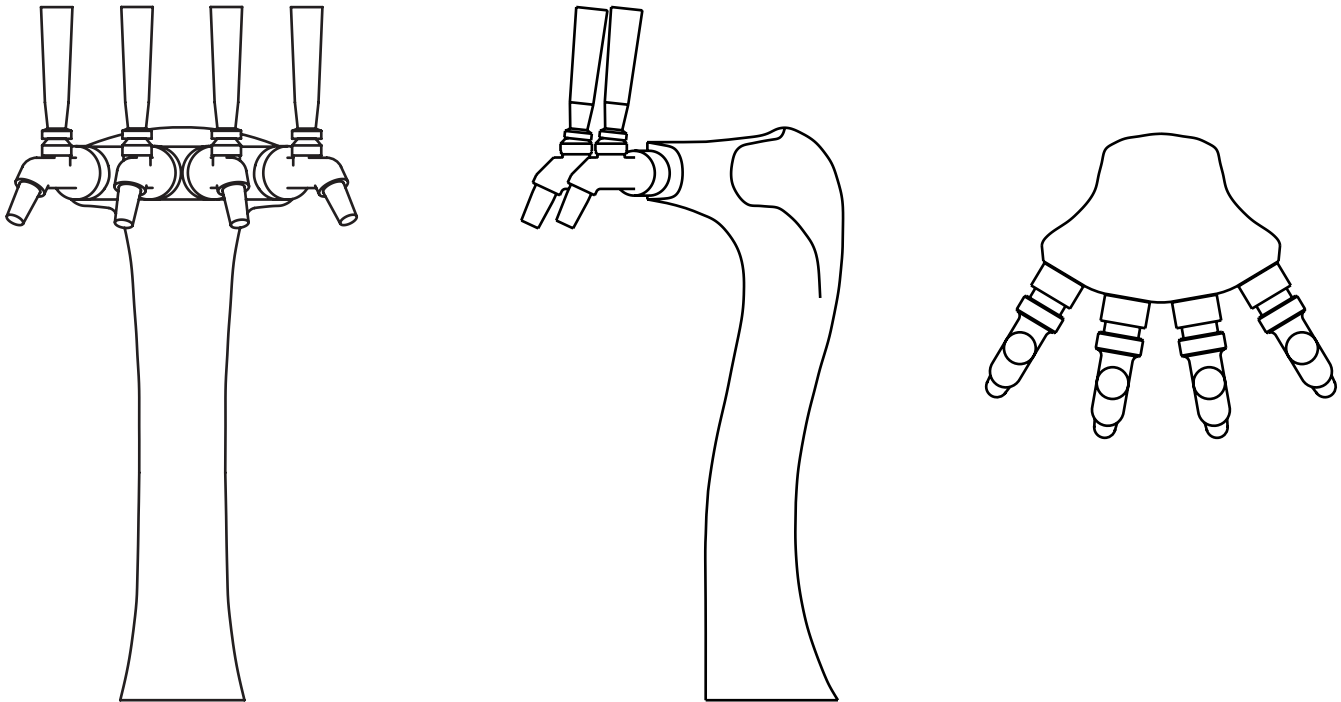


CNT-3-MF



Towers supplied with US style stainless steel faucets.
NOTE: Faucet handles not included.

Dimensional Information



<p>Glastender, Inc. • 5400 North Michigan Road • Saginaw, MI • 48604-9780 989.752.4275 • 800.748.0423 • Fax 989.752.4444 www.glastender.com</p>	<p>Approval/Notes:</p>
<p><small>Specifications subject to change without notice. For current specifications please visit our website.</small></p>	

Project: _____	AIA# _____
Item #: _____ Qty: _____	SIS# _____
Model #: _____	

Juliette Towers



JT-3-MFR



JT-7-MFR

JT-__-MFR

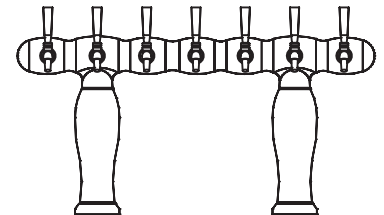
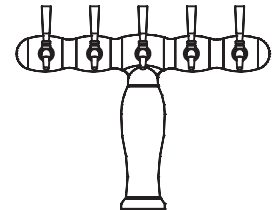
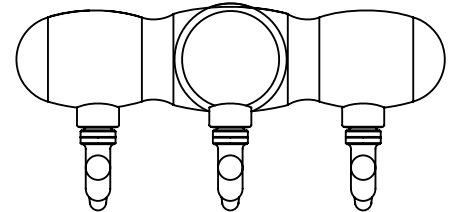
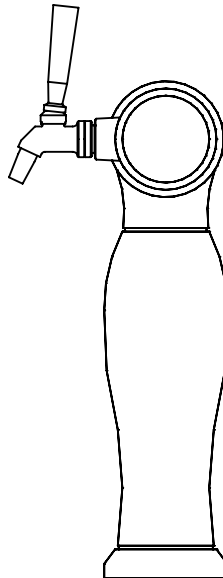
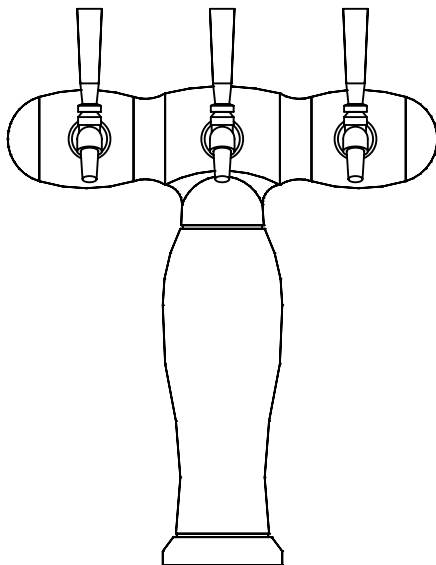
Hardware Finish:
MFR = Chrome

Size:
Specify the number
of faucets from 3,
5, or 7

Towers supplied with US style stainless steel faucets.

NOTE: Faucet handles not included.

Dimensional Information



Glastender, Inc. • 5400 North Michigan Road • Saginaw, MI • 48604-9780
989.752.4275 • 800.748.0423 • Fax 989.752.4444
www.glastender.com

Approval/Notes:

Specifications subject to change without notice. For current specifications please visit our website.

Project: _____	AIA# _____
Item #: _____ Qty: _____	SIS# _____
Model #: _____	

Lynx Towers



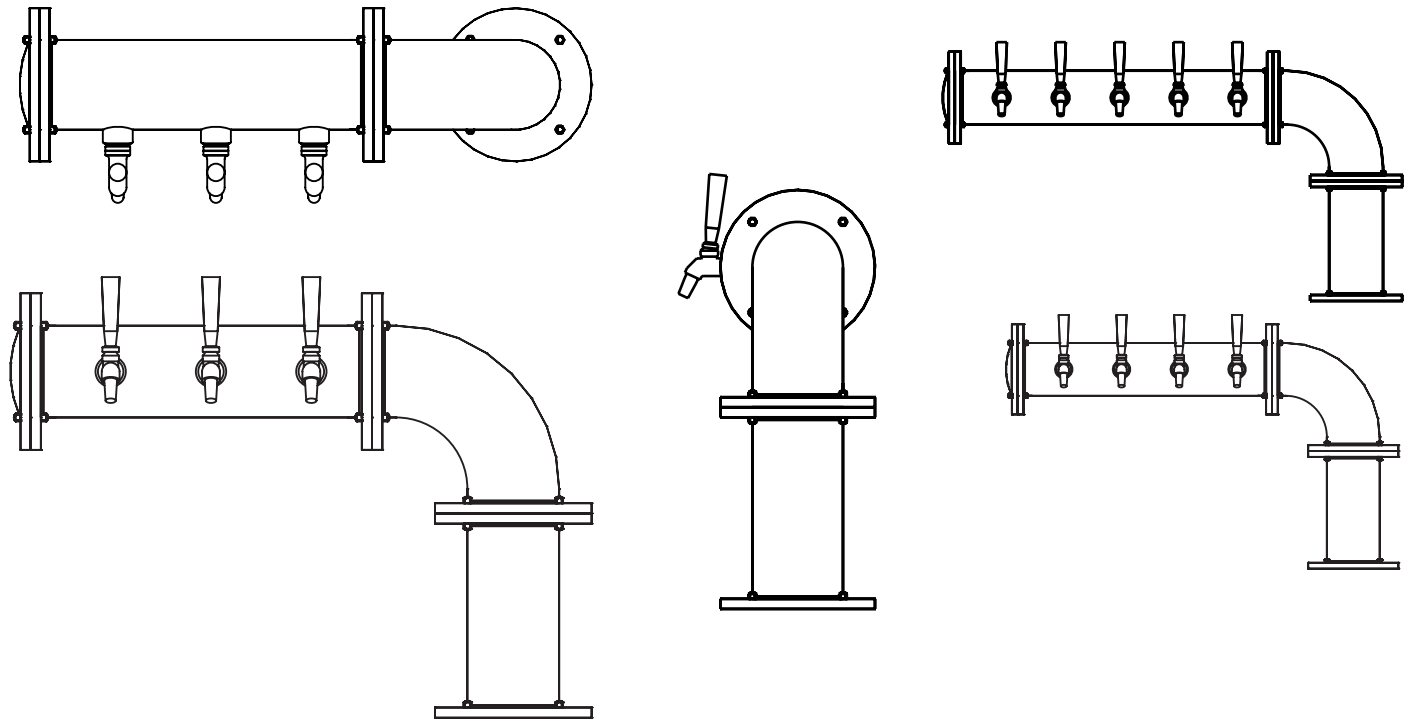
LXT-5-SSR

LXT-____-SSR

Size:
Specify the number of faucets from 3, 4, or 5

Towers supplied with US style stainless steel faucets.
NOTE: Faucet handles not included.

Dimensional Information



Glastender, Inc. • 5400 North Michigan Road • Saginaw, MI • 48604-9780
989.752.4275 • 800.748.0423 • Fax 989.752.4444
www.glastender.com

Approval/Notes:

Specifications subject to change without notice. For current specifications please visit our website.

Project: _____	AIA# _____
Item #: _____ Qty: _____	SIS# _____
Model #: _____	

Lions Gate Towers



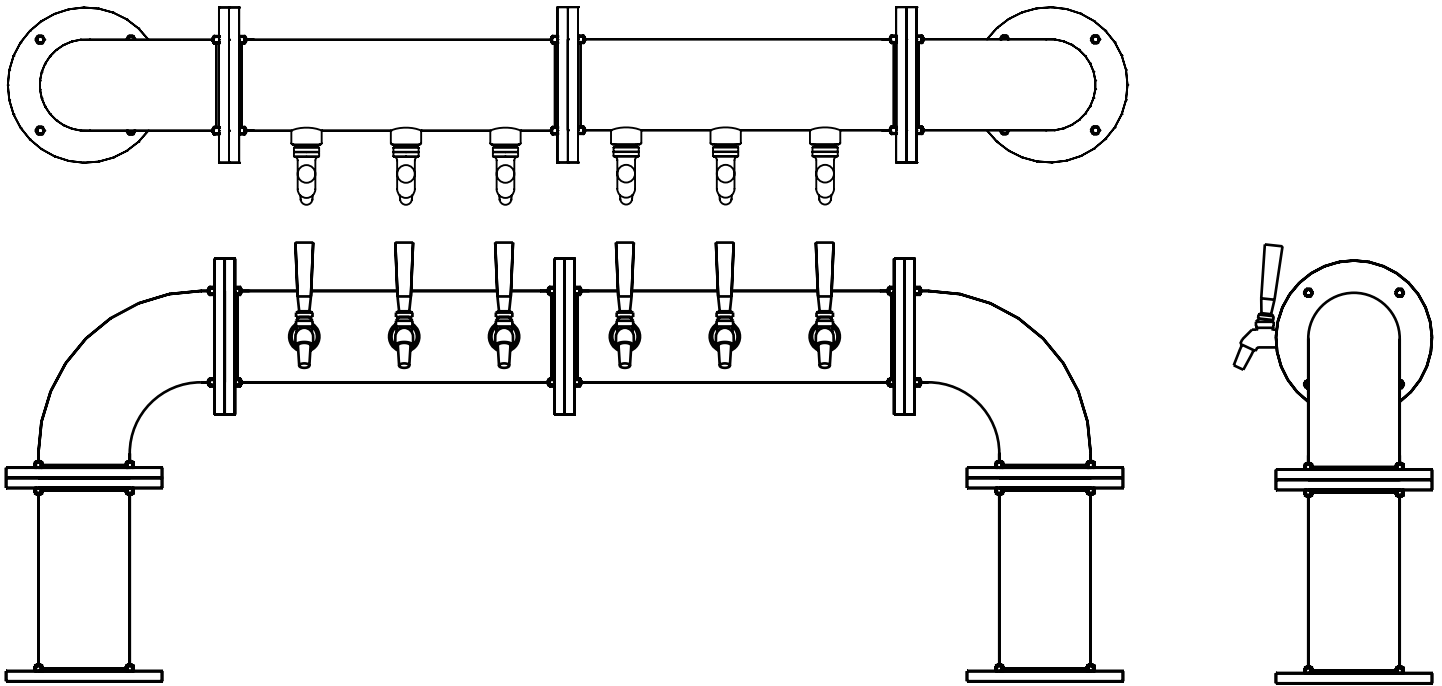
LGT-8-SSR

LGT-__-SSR

Size:
Specify the number of faucets from 6 or 8

Towers supplied with US style stainless steel faucets.
NOTE: Faucet handles not included.

Dimensional Information



<p>Glastender, Inc. • 5400 North Michigan Road • Saginaw, MI • 48604-9780 989.752.4275 • 800.748.0423 • Fax 989.752.4444 www.glastender.com</p> <p>Specifications subject to change without notice. For current specifications please visit our website.</p>	<p>Approval/Notes:</p>
---	------------------------

Project: _____	AIA# _____
Item #: _____ Qty: _____	SIS# _____
Model #: _____	

Albatross Towers

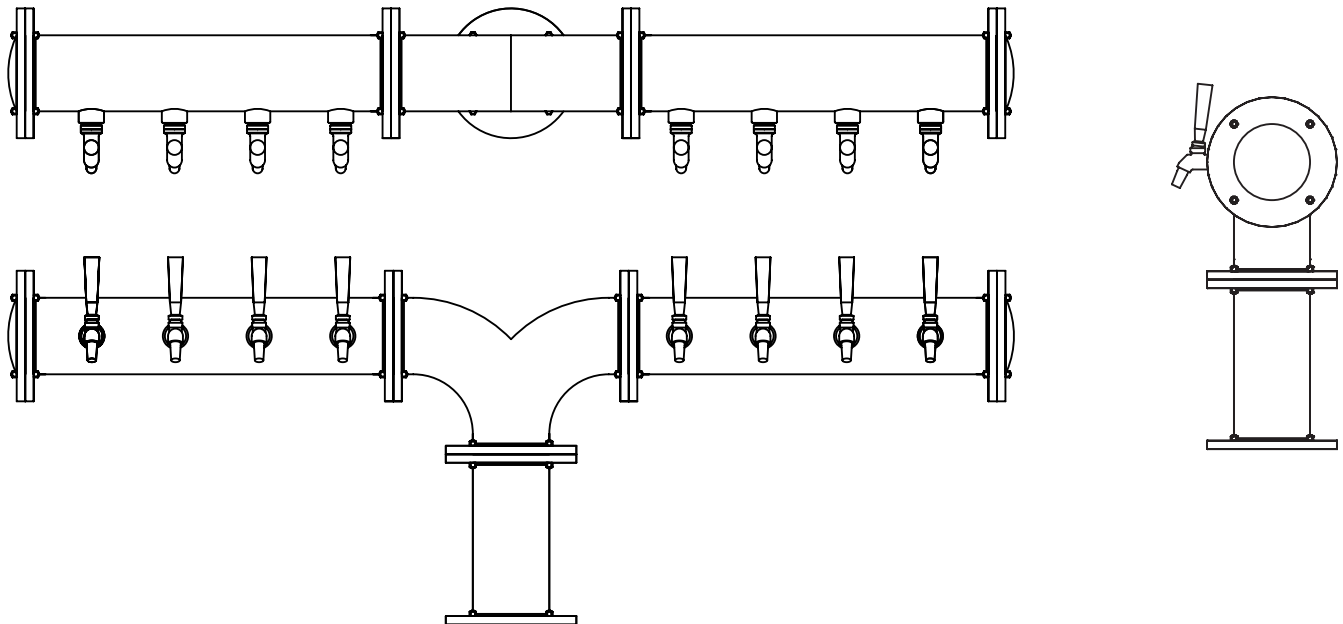
ABT-8-SSR



ABT-8-SSR

Towers supplied with US style stainless steel faucets.
NOTE: Faucet handles not included.

Dimensional Information



<p>Glastender, Inc. • 5400 North Michigan Road • Saginaw, MI • 48604-9780 989.752.4275 • 800.748.0423 • Fax 989.752.4444 www.glastender.com</p>	<p>Approval/Notes:</p>
<p>Specifications subject to change without notice. For current specifications please visit our website.</p>	